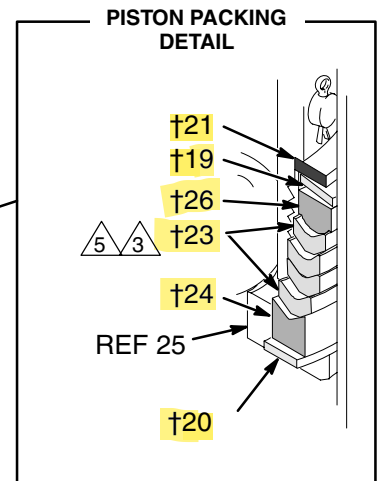
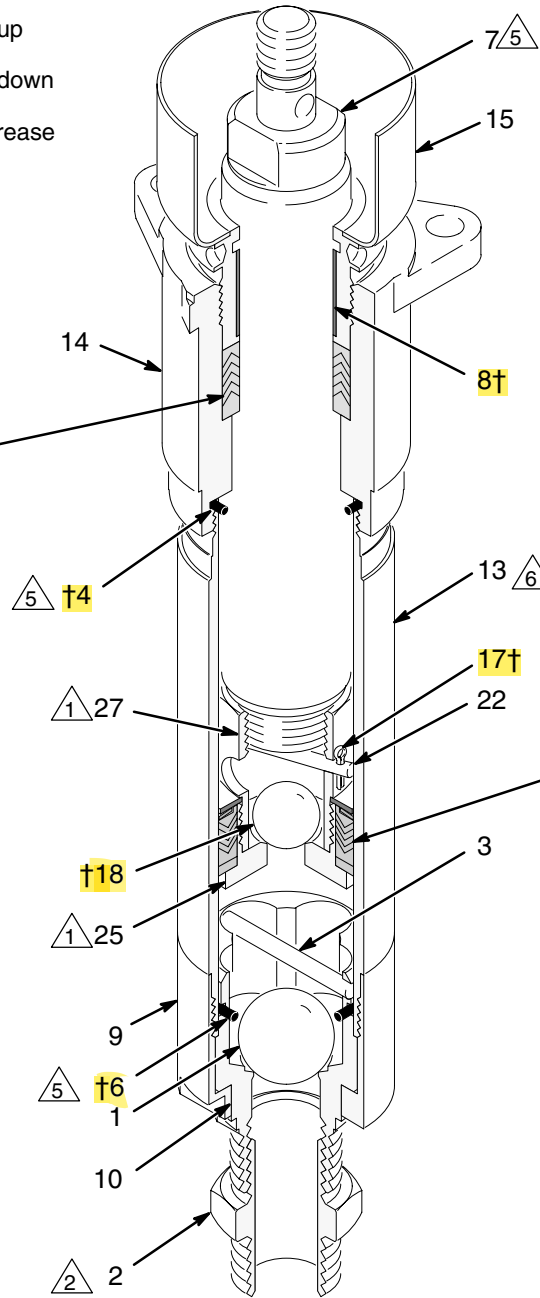
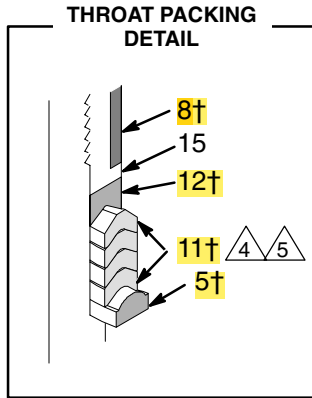


Service

- △1 Torque to 60 ft-lb (81 N•m)
- △2 Apply sealant to threads
- △3 Lips of v-packings must face up
- △4 Lips of v-packings must face down
- △5 Lubricate with lithium-base grease
- △6 Grease inside wall of cylinder



01604

Model 215932 Shown

Fig. 2

Parts

Model 215932, Series B

Short Stroke, with PTFE packings

Model 217339, Series A

Long Stroke, with PTFE packings

Ref No.	Part No.	Description	Qty	Ref No.	Part No.	Description	Qty
1*	104300	BALL, intake; 1–1/8" dia.; sst	1	15	207708	NUT, packing; sst	1
2	190724	NIPPLE; 3/4 npt; sst	1	16	215339	PISTON ASSEMBLY; sst Includes items 17–27	1
3*	162947	PIN; sst	1	17†	100063	. PIN, cotter; sst	2
4†	164782	O-RING; PTFE	1	18†	101917	. BALL, piston; 7/8" dia.; sst	1
5†	164837	GLAND, male; sst	1	19†	105364	. SPRING, wave; sst	1
6†	164846	O-RING; PTFE	1	20†	176633	. WASHER, backup; sst	1
7	24C506	ROD, displacement; sst <i>Model 215932 only</i>	1	21†	176634	. WASHER; sst	1
	178517	ROD, displacement; sst <i>Model 217339 only</i>	1	22*	176637	. BALL STOP; sst	1
8†	168285	BEARING, sleeve; PTFE	1	23†	176635	. V-PACKING; PTFE	4
9	171311	RING, locking; sst	1	24†	176640	. GLAND, female; UHMWPE	1
10	171312	HOUSING, intake; 3/4 npt(f) x 1" npt(m); sst	1	25	176642	. STUD, piston; sst	1
11†	162866	V-PACKING; PTFE <i>Models 215932 and 217339 only</i>	4	26†	176643	. GLAND, male; sst	1
12†	176641	GLAND, female; UHMWPE	1	27	176644	. STUD, mounting, piston; sst	1
13	24C505	CYLINDER; sst <i>Model 215932 only</i>	1	28▲	172479	TAG, warning (not shown)	1
	178519	CYLINDER; sst <i>Model 217339 only</i>	1				
14	206529	HOUSING, outlet; sst	1				

* Recommended "tool box" spare parts. Keep on hand to reduce down time.

† Supplied in repair kit 215336, which can be purchased separately.

▲ Replacement Danger and Warning labels, tags and cards are available at no cost.